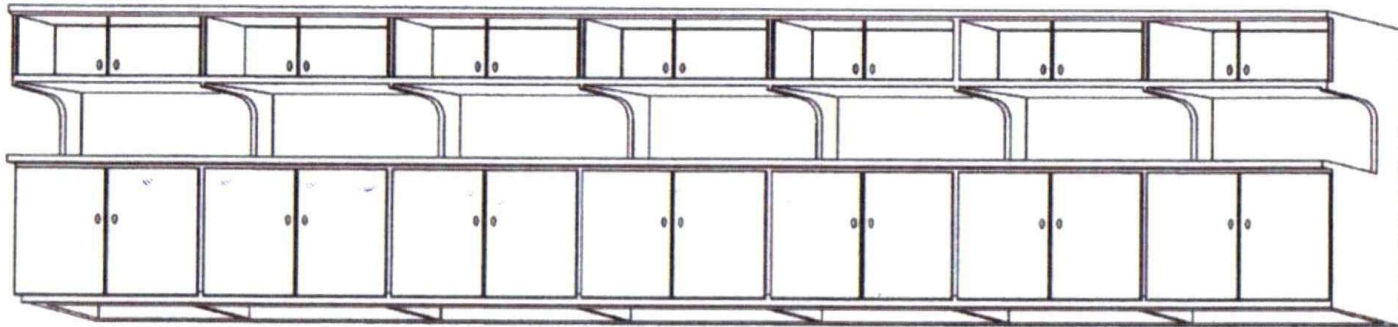
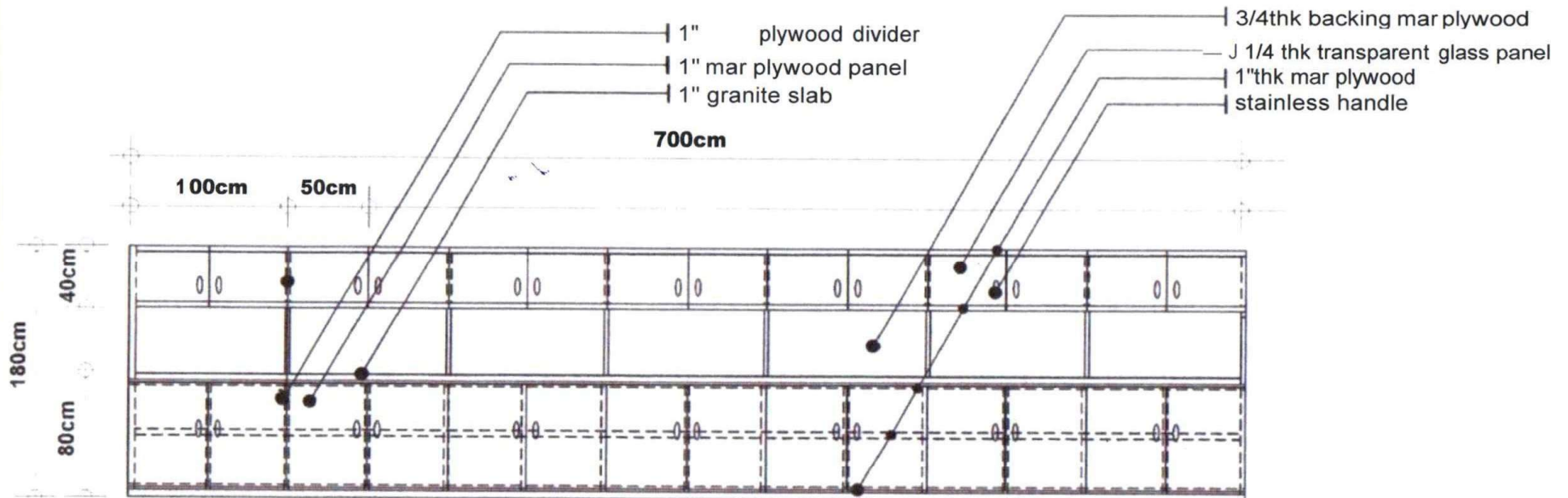


Note: Use 3/4" Marine Plywood & 1/2" granite Slab

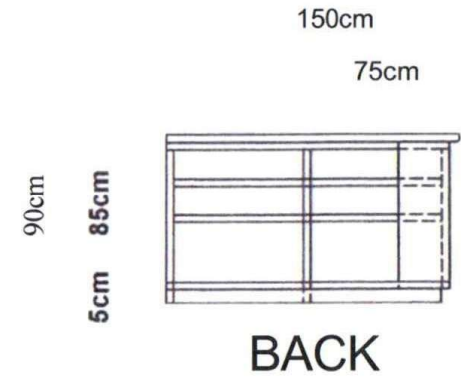
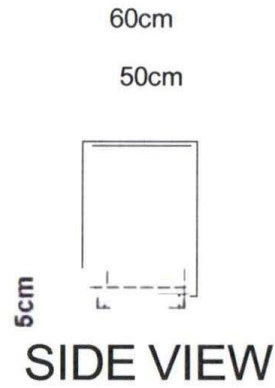
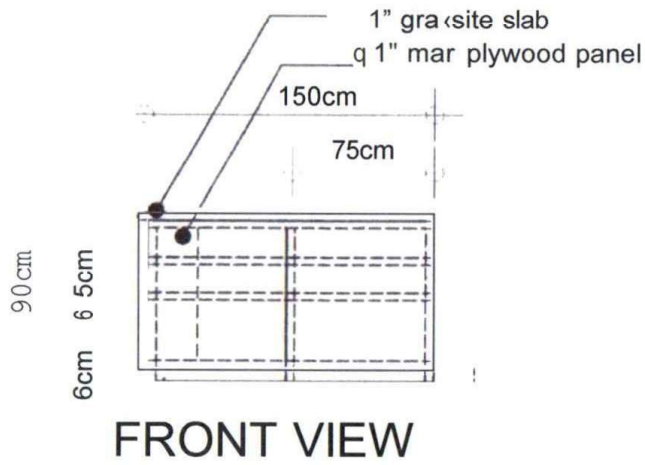
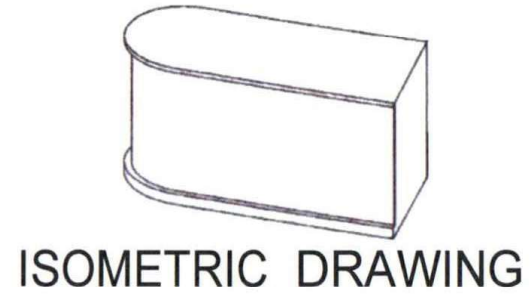
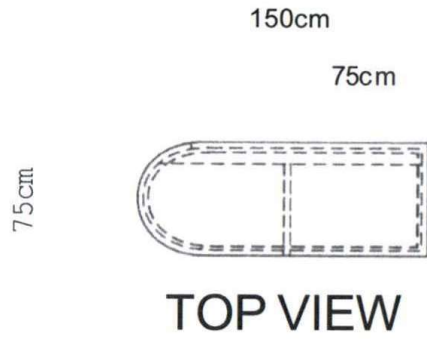


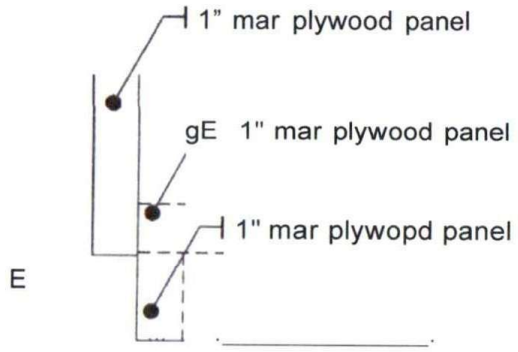
ISOMETRIC DRAWING



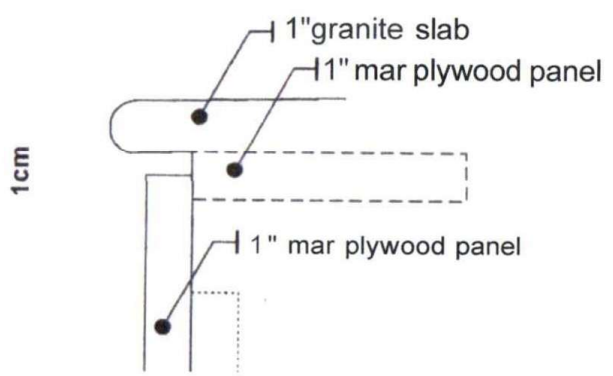
FRONT VIEW

Note: Use 3/4" Marine Plywood & 1/2" Granite Slab

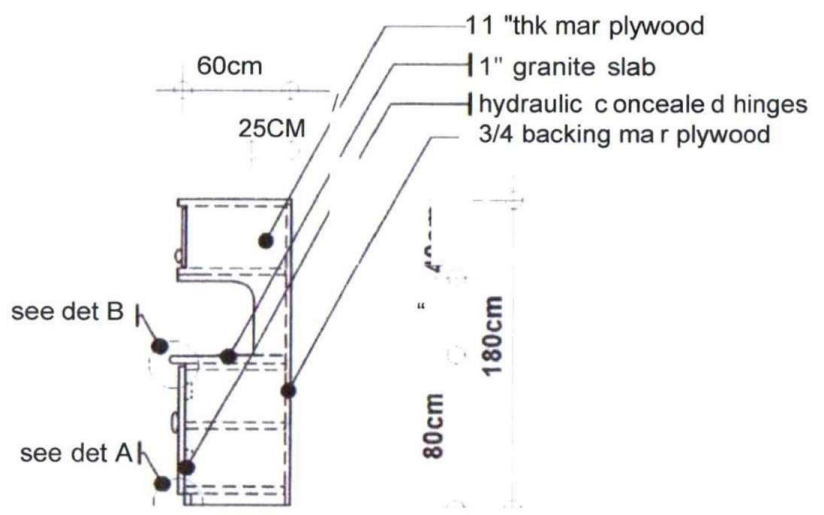




det a

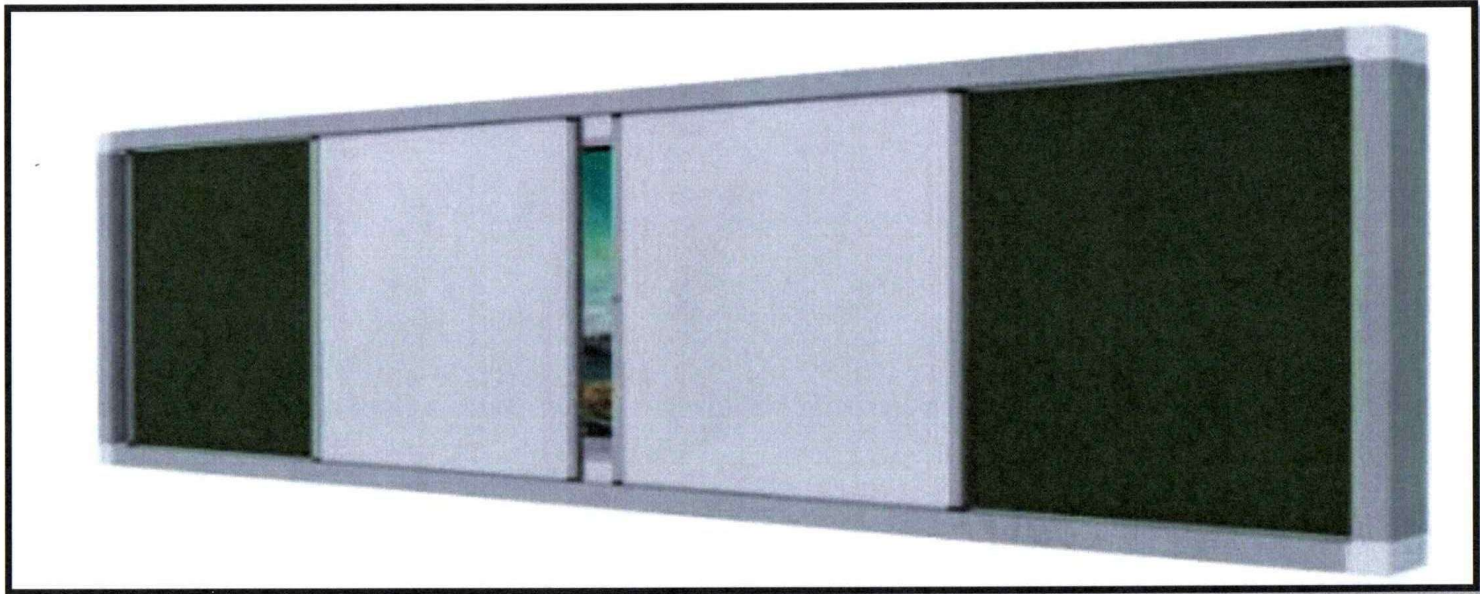
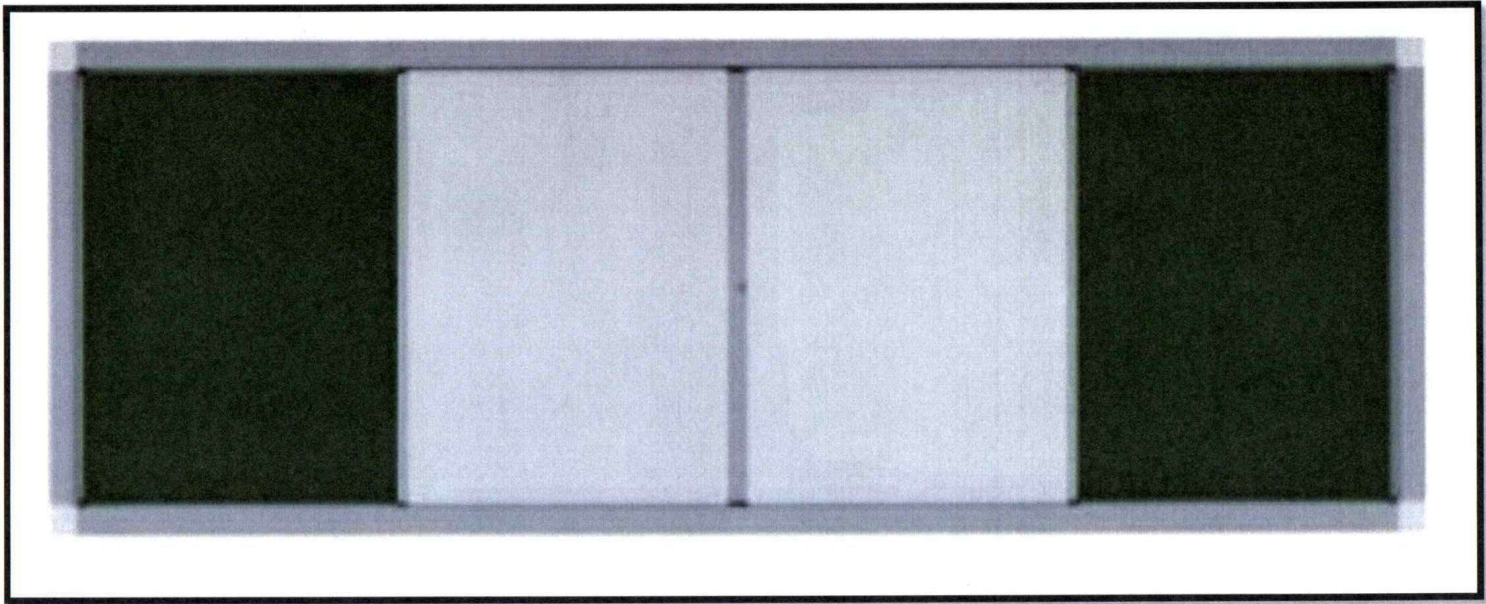


det b



SIDE VIEW





Prepared by

A handwritten signature in purple ink, appearing to read 'R. Nagelo T. Lloren', is written over the printed name and title.

**ENGR. RALPH NAGELO T. LLOREN**  
Campus Engineer

